

MODELS:

SFX-G7-700-1000W-45D-50K; SFX-G7-700-1000W-45D-50K-480V; SFX-G7-1400-1700W-45D-50K-480V

Model number parameter list:

Model	Input Voltage	Power Factor	Watt	Input Current
SFX-G7-700-1000W-45D-50K	100-277V AC	≥0.9	700W/800W/900W/1000W	10.8A
SFX-G7-700-1000W-45D-50K-480V	277-480V AC			3.65A
SFX-G7-1400-1700W-45D-50K-480V	277-480V AC		1400W/1500W/1600W/1700W	7.3A



1. Introduction

- This sports lighting uses the latest in solid state lighting technology for long life, low maintenance, and high efficiency.
- Use 100-277V&277-480V, 50/60Hz AC supply.
- Suitable for use in the following locations:
 - Ambient Temp: -4 F ~+104 F
 - Wet Locations

Note: Save these instructions for future reference.

2. Installation

Warning:

To avoid the risk of fire, explosion, or electric shock, this product should be installed, inspected, and maintained by a qualified electrician only, in accordance with all applicable electrical codes.

Warning:

To avoid electric shock:

- Be certain electrical power is OFF before and during installation and maintenance.
- Luminaire must be connected to a wiring system with an equipment-grounding conductor.

Warning:

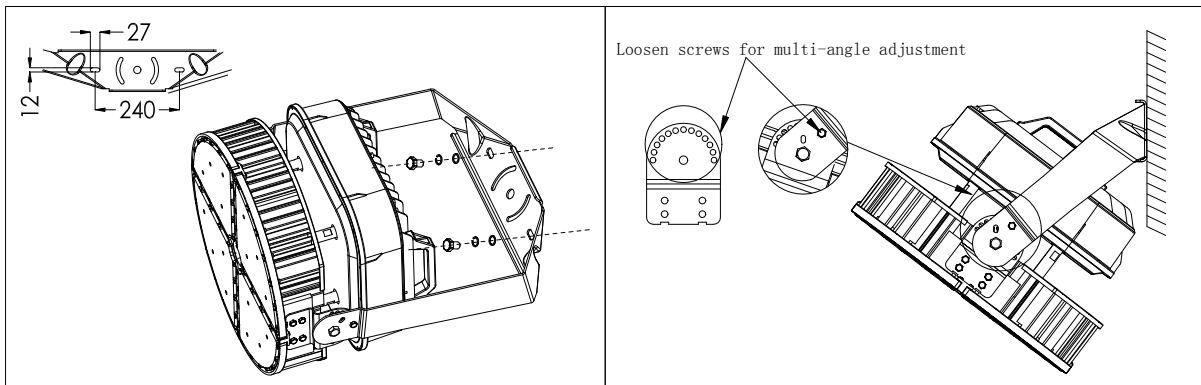
To avoid explosion:

- Make sure the supply voltage is the same as the rated luminaire voltage.
- Do not install where marked operating temperatures exceed the ignition temperature of the hazardous atmosphere.
- Do not operate in ambient temperatures above those indicated on the luminaire nameplate.
- Keep lens tightly closed when in operation.

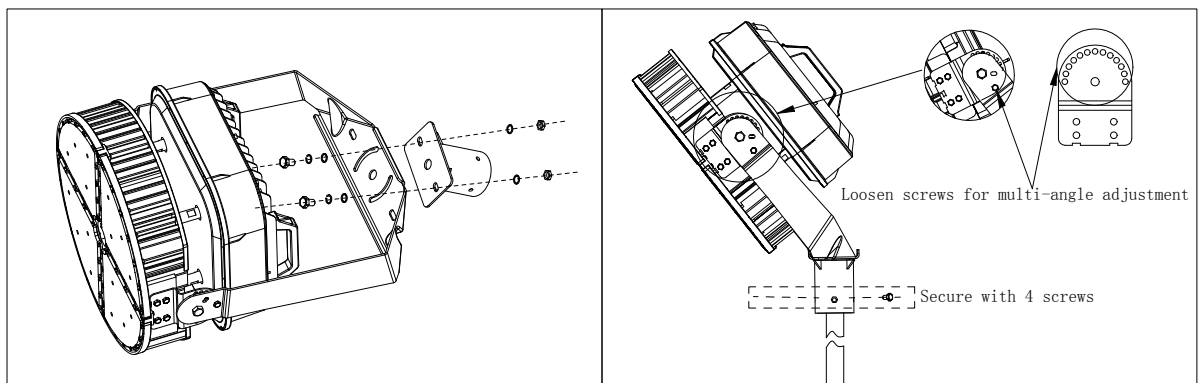
For supply connections use wire rated for at least 194 °F

Installation:**1. Directly fix to mounting surface**

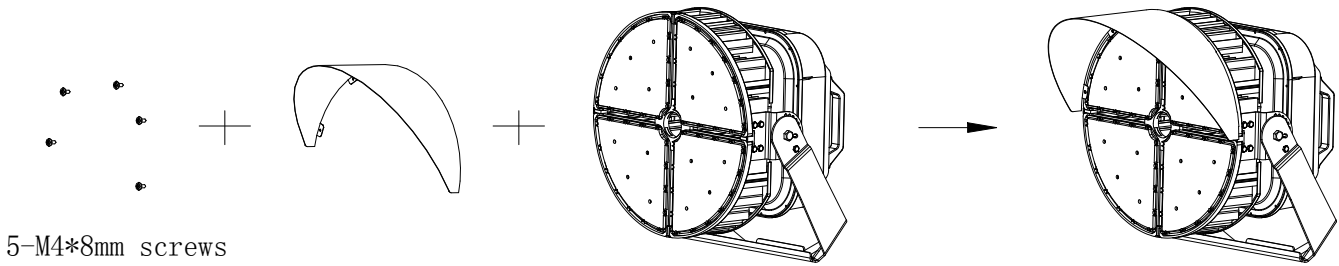
- ① Make a hole on the wall according to the size of the big bracket hole.
- ② Use screws, gaskets and other accessories to fix the lamp on the wall.
- ③ Loosen the small screw on the bracket to adjust the irradiation Angle as required.

**2. Pole Mounted**

- ① Use screws, gaskets, nuts and other accessories to fix the rotating bracket on the big bracket.
- ② Set the lamp on the pole and fix it with 4 screws.
- ③ Loosen the small screw on the bracket to adjust the irradiation Angle as required.



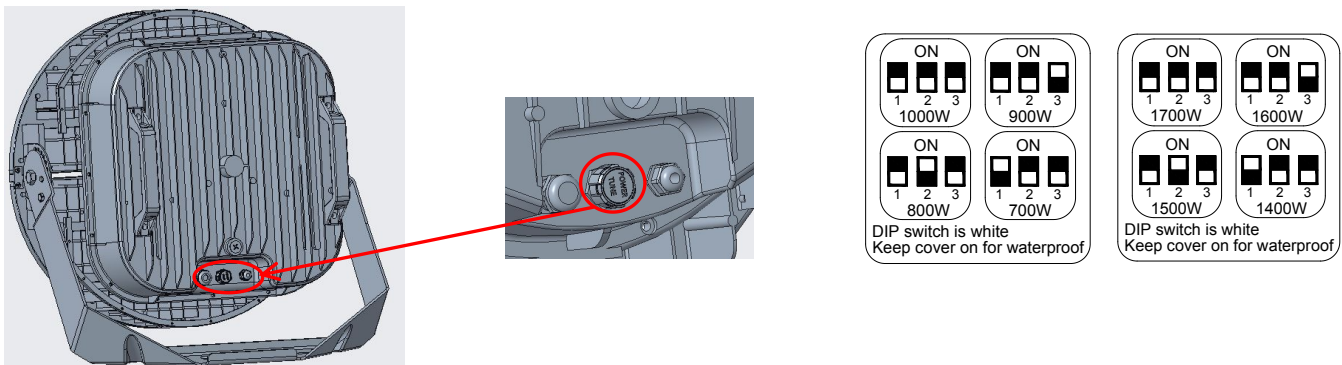
3.Lamp Hood (optional)



4.Wiring Diagrams:



5.Function description of Wattage Tunable



After installation, please

- check whether the lighting fixture is firmly fixed.
- check whether wires are connected correctly.
- At last, turn on the power, and check if the lighting fixture works well. If not, please turn off the power and contact with local dealer.

Warning: the luminaire shall be installed by qualified electrician.